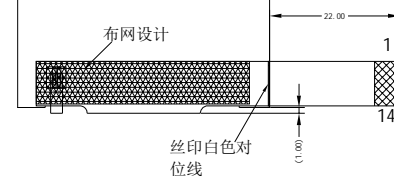
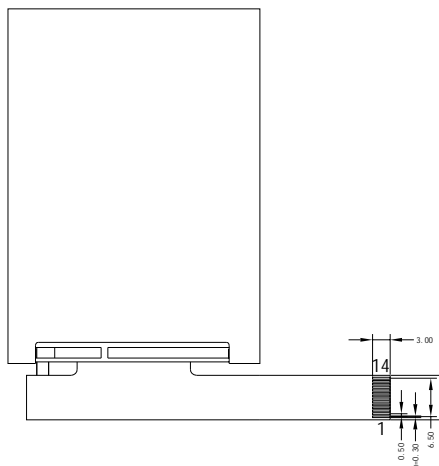
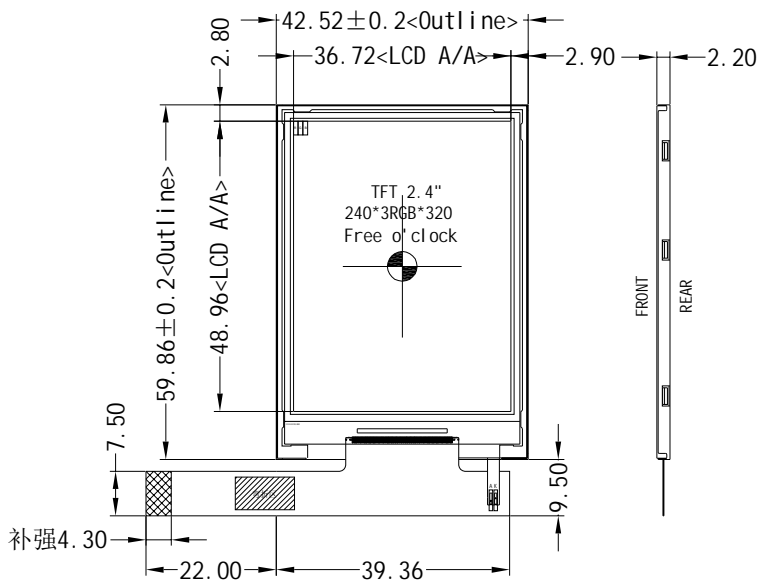
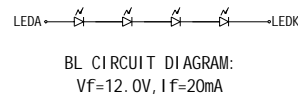


\*\*\* Do not display the fixed pattern for a long time when using a normally black panel, as it may cause image sticking due to the LCM structure. If the screen is displayed in fixed mode, use a screen saver. It is recommended to display the fixed mode in less than 2 minutes or less.



PIN NO.	SIGNAL
1	LED_K
2	LED_K
3	LED_K
4	LED_A
5	LED_A
6	GND
7	RESX
8	CS
9	SCLK
10	TE
11	SDA
12	GND
13	3.3V
14	GND

*1. LCD Display Type	TFT, Transmissive, Normally Black		
*2. Viewing Direction	Free of Clock (U80/D80/L80/R80)	*6. Storage Temp	-30° C-80° C
*3. Interface	SPI-4L	*7. Driver IC	ST7789V
*4. Operating Voltage	VCI=2.8V, IOVCC=1.8V(Typ)	*8. Backlight	WHITE Vf=12.0V If=20mA(Typ)
*5. Operating Temp	-20° C-70° C	*9. LCM Brightness	500 cd/m <sup>2</sup> (Typ)



Dwg Title: **TFT-H024C4QVI ST5N14**

Scale: 1:1    Unit: mm    Tol: ±0.3

Ver: V0    Drawn:    Date: 2019-10-17